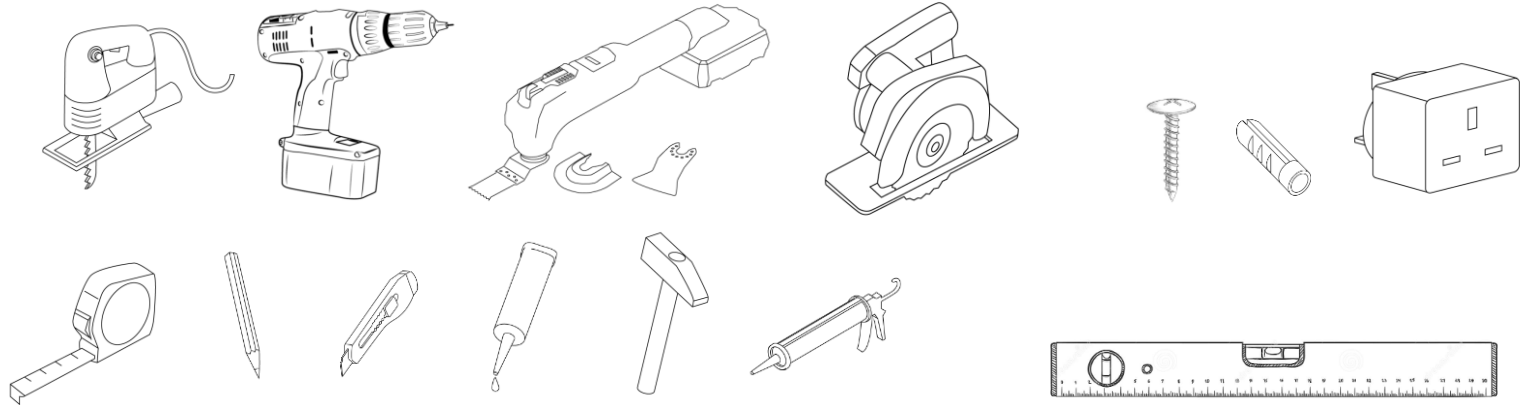


Decorative Wall Panels

Installation Guide



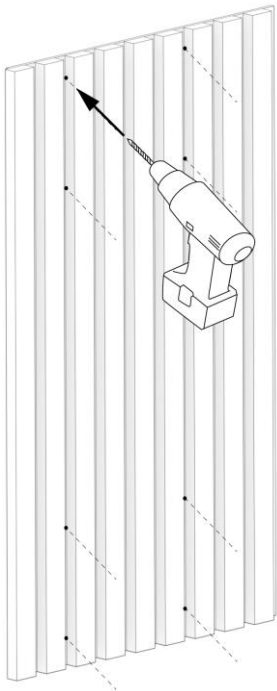
YOU WILL NEED



Comments: drill, 8 screws (black recommended, 1 ½ inch in length), level, pencil, tape measure.
Optional: circular saw, mounting wall glue, LED tape, scissors.

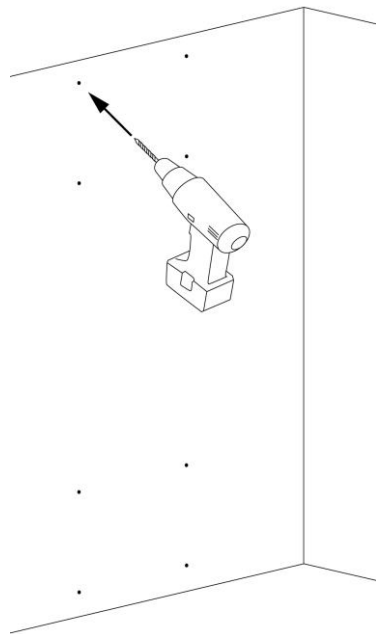


STEPS



Step 1

Use appropriate drill to mark the points on the wall.



Step 2

Take off the wall panel and drill appropriate holes

1. Screw & glue mounting / Glue mounting

Measure your space and decide where you're going to install the panels. Some people center the panels on their wall for a framed look, while others install them flush with the floor for a more grounded aesthetic.

NOTE 1: If you're mounting into drywall only, be sure to insert the appropriate anchors before drilling.

NOTE 2: If the dimensions of the wall panels need to be correlated – go into point 4 (Cutting wall panels to desired dimensions).

NOTE 3: For each installation use spirit level.

We recommend a total of 8 screws per panel, spaced evenly around the edges and closer to the middle of each panel, as shown. Additionally you may also use the professional glue for walls.

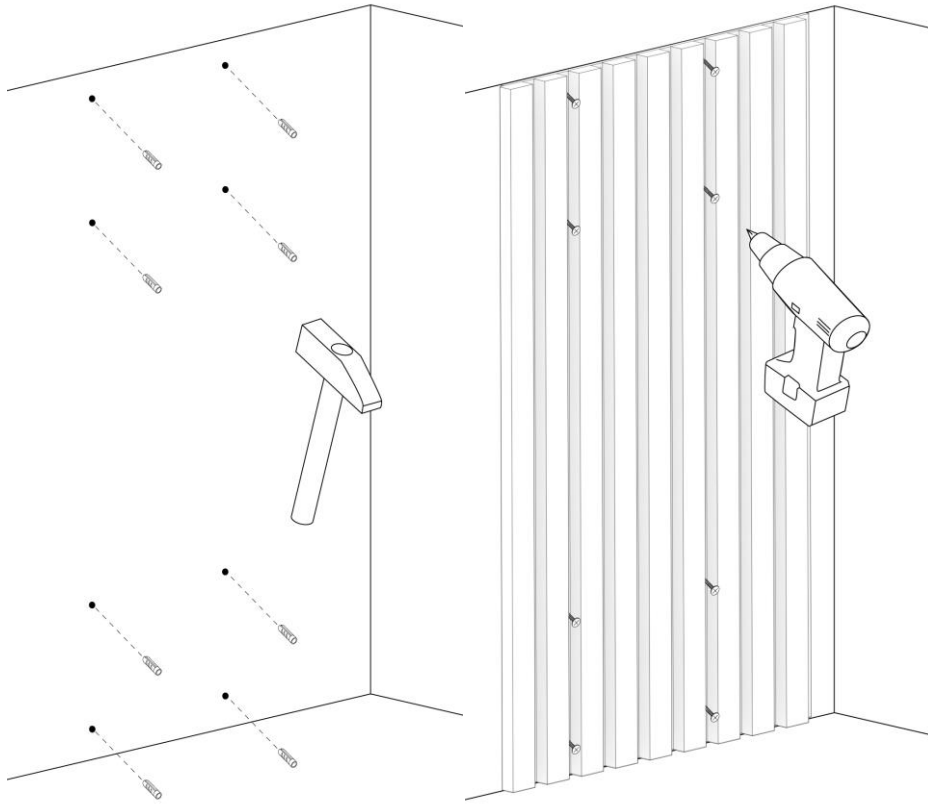
COMMENT: You may use professional glue dedicated for walls and resign from using screws.

Decorative Wall Panels

Installation Guide

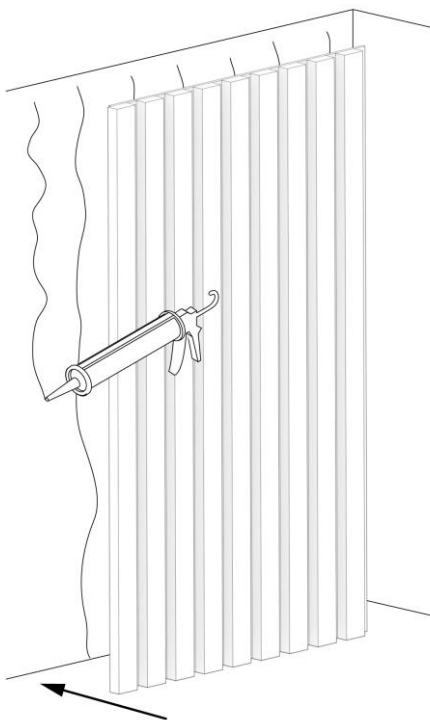


STEPS



Step 3
Put anchors

Step 4
Place decorative acoustic panel to the wall and mount using drill and screws.



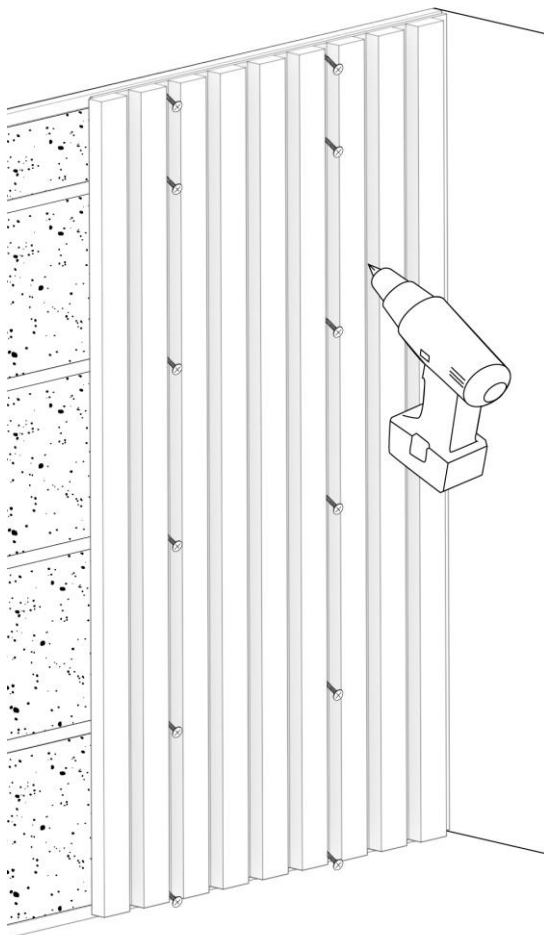
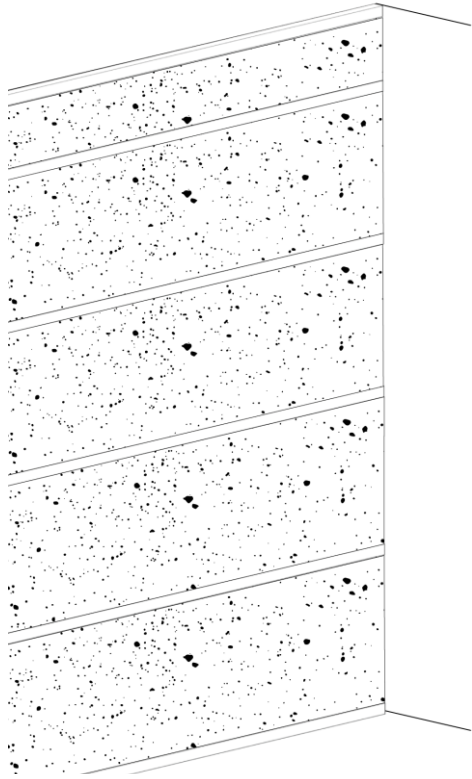
Step 5/additional option
You may use only glue for mounting the panels

Decorative Wall Panels

Installation Guide



STEPS



2. Screw mounting on the wooden profiles.

We recommend to place a wooden profile on the wall with distance 60 cm. Then the decorative acoustic panels are placed directly on the wooden profiles.

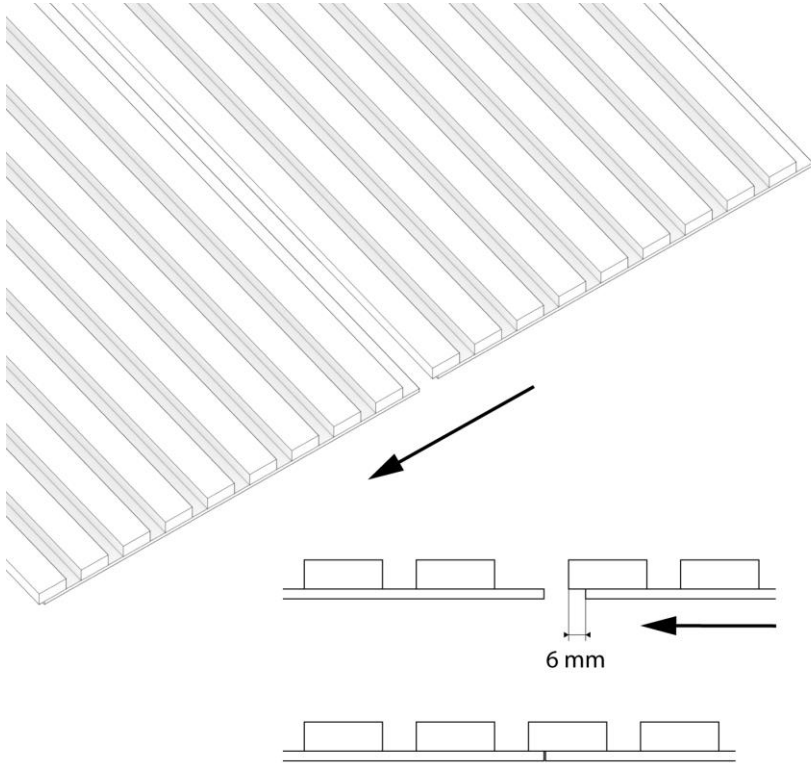
Measure your space and decide where you're going to install the panels. Some people center the panels on their wall for a framed look, while others install them flush with the floor for a more grounded aesthetic.

NOTE 1: If the dimensions of the wall panels need to be correlated – go into point 4 (Cutting wall panels to desired dimensions).

NOTE 2: For each installation use spirit level.

Decorative Wall Panels

Installation Guide

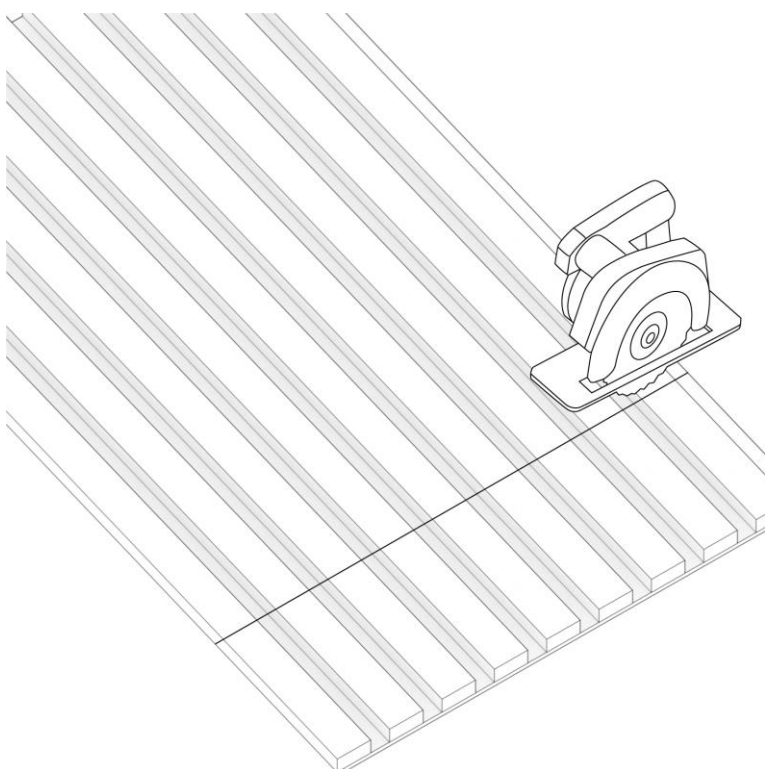
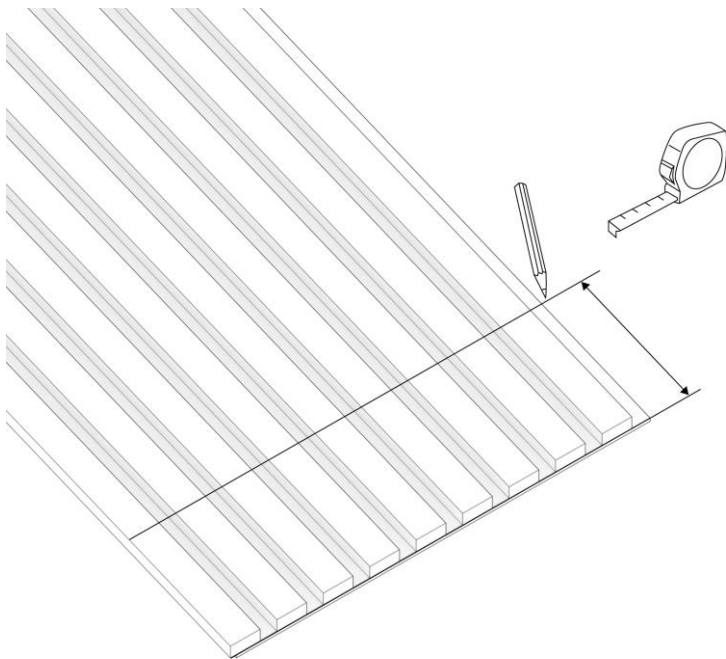


3. Connection of wall panels

You may connect easily few panels together according presented drawing.

Decorative Wall Panels

Installation Guide



4. Cutting panels to desired dimensions

LENGTH/Measure desired length of a wall panel, and mark it along the slats using a pencil.

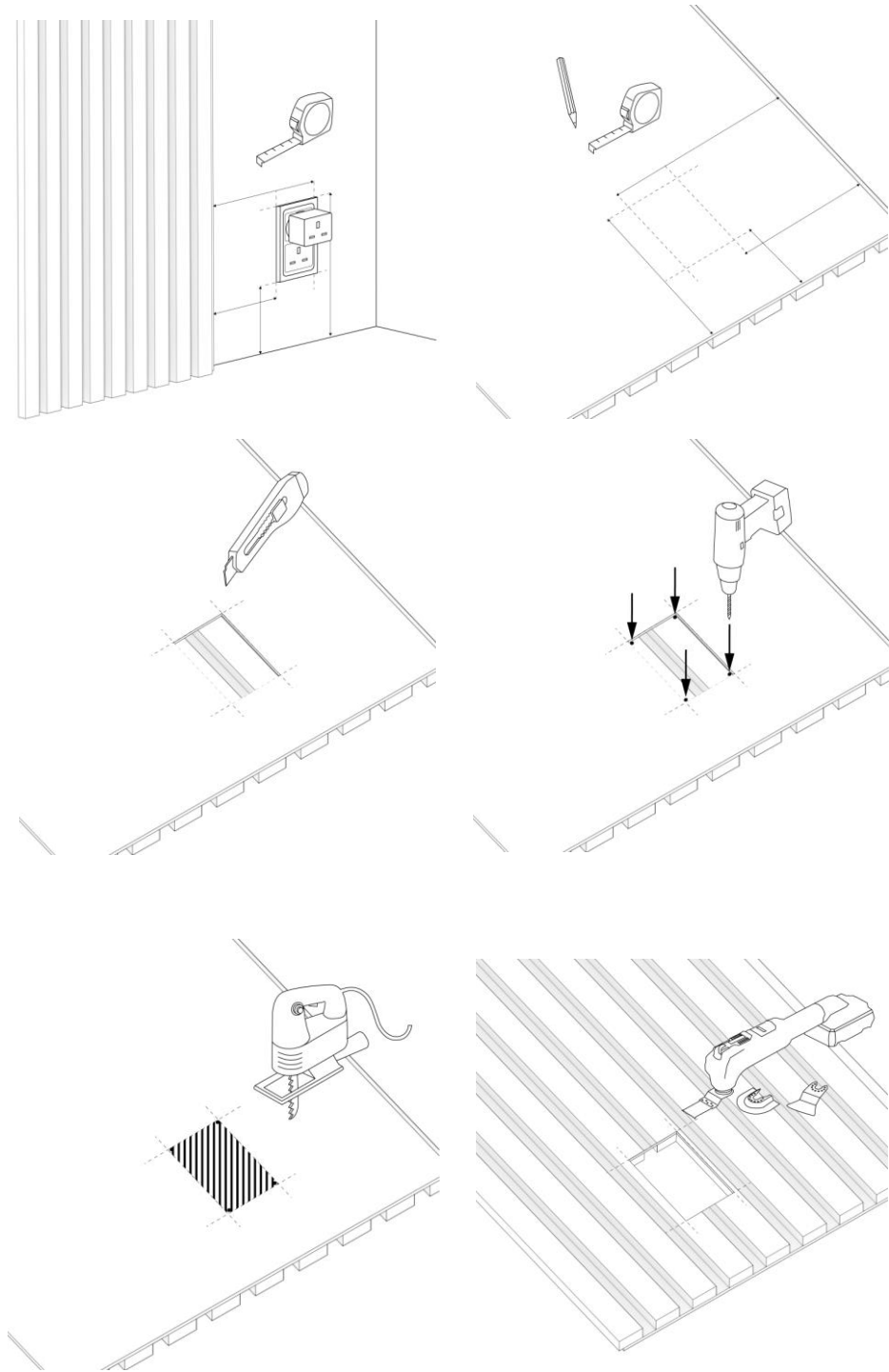
Flip the wall panel over, slats facing down, and use a circular saw to cut the panel at the length you previously marked.

WIDTH/Measure desired width of the wall panel and mark it using a pencil. For cutting the panel use carpet knife.

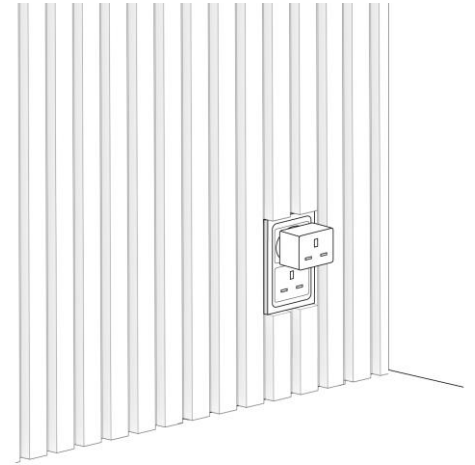
Once your wall panel is ready for mounting, come back to point 1 (Screw&Glue mounting/Glue mounting).

Decorative Wall Panels

Installation Guide



5. Mounting on the socket



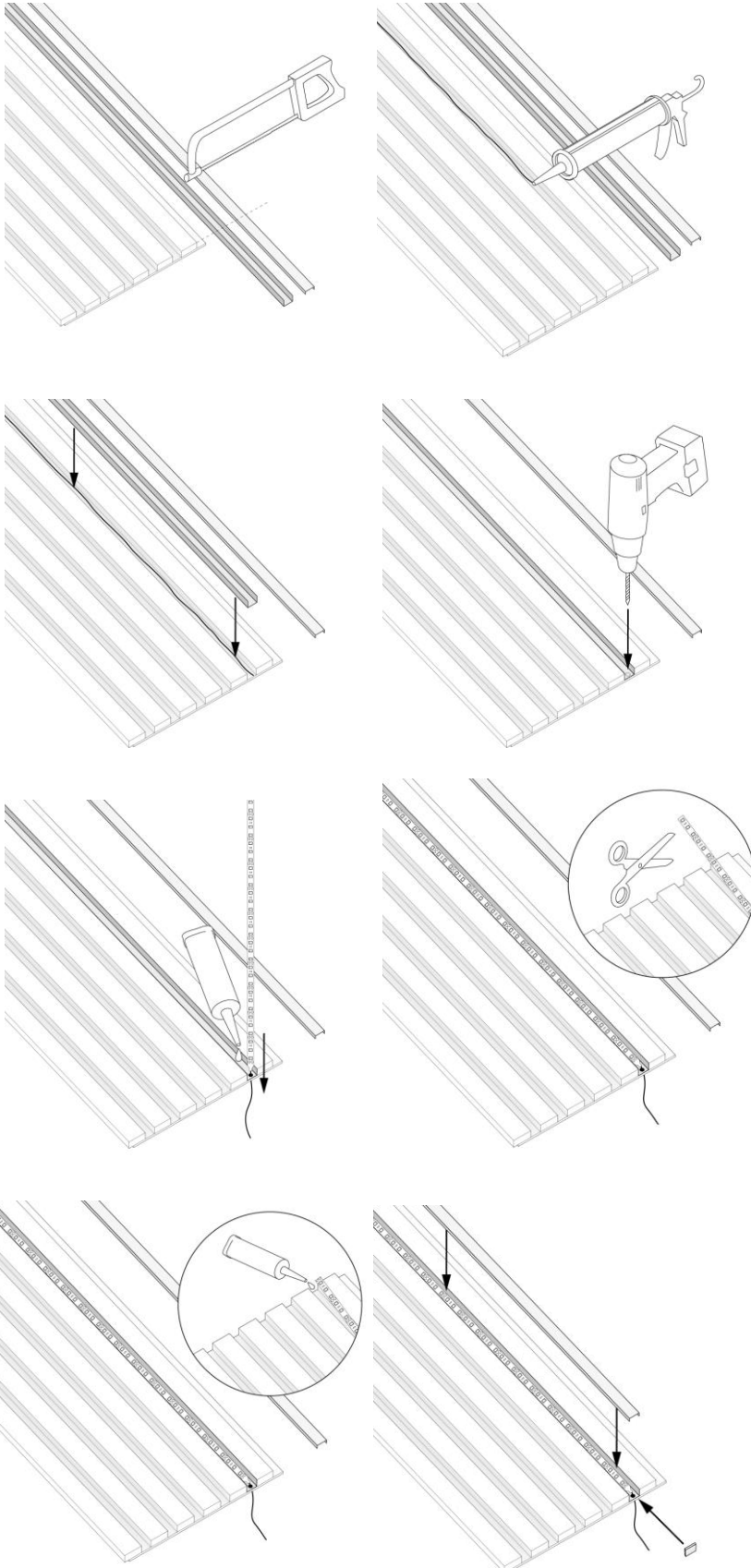
Measure on the wall panel the place where the socket will be placed.

Apply this measurement to the panel and cut out with a multi tool saw.

Add glue to the lamellas under and above the socket and then install the panel on the wall.

Decorative Wall Panels

Installation Guide



6. Installation of the LED tape

Prepare the aluminium profile and cut to desired length with a normal hacksaw.

Use the mounting glue and put between the lamellas in place when you want to use LED.

Drill a hole as close to the end as possible and thread the cable back through the hole.

Stick the LED tape. It is recommended to use additional glue at the beginning of the profile.

Cut the tape at the desired length of the wall panel and stick to the profile.

Comments: installation of the LED strip should be carried out by a electrician.