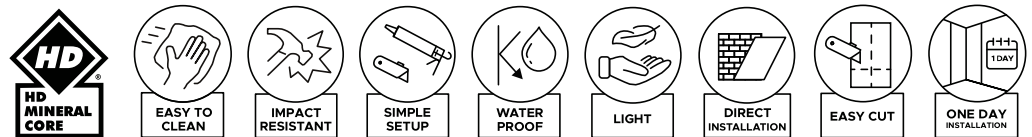


MINERAL WALL  
**SLABS & TILES**

**modee.**

Thank you for choosing modee MINERAL WALL SLABS & TILES, which combine functionality and aesthetics. To ensure proper installation and long-term use, we have prepared a detailed instruction manual. Follow the guidelines below to achieve the best final result.

Modee is an innovative decorative product designed for various residential and commercial spaces. Thanks to its functionality, wide selection of patterns, and ease of installation, it offers an attractive interior design solution. It features high dimensional stability, but due to variations in thermal conditions, perimeter expansion joints must be used to eliminate stress.



## Product characteristics

- Significantly lighter than ceramic tiles and furniture boards.
- Easy to install, even by unqualified installers.
- Installation without dust and noise.
- Easy to cut with a standard utility knife.
- Equipped with the MODEE lock tongue-and-groove system.
- Can be installed on a variety of surfaces, including directly on ceramic tiles.



**Thickness swelling [EN ISO 24336]** – the product is suitable for use in humid environments such as bathrooms and kitchens.



**Reaction to fire [EN 13501-1]** – the slabs/tiles meet the requirements of class B-s2, d0, which means they are combustible but non-flammable and emit a limited amount of smoke. The European requirements use the Euroclass system, dividing building materials based on their reaction to fire into classes: A1, A2, B, C, D, E, F, along with additional criteria considering smoke emission. Based on this, the risk of flashover, meaning the rapid spread of fire, can be assessed. Class B defines the product as combustible but non-flammable (no flashover, limited contribution to fire spread), symbol s2 indicates limited smoke emission, and d0 means no flaming droplets or particles.



**Stain and chemical resistance [EN ISO 26987]** – the top layer of Modee is resistant to stains and the effects of chemicals such as coffee, acetone, dishwashing liquid, soap, and descaler. It achieves the highest rating – index 0, indicating no changes on the tested surface.

## Areas of Application



**In residential spaces, for example:**

- Hallways and entrances,
- Kitchens (the product can be used near induction cooktops but is not suitable for use near gas stoves),
- Staircases and passageways,
- Living rooms and other rooms,
- Bathrooms and toilets (Tip: The product is suitable for use in shower enclosures and around bathtubs).



**In commercial spaces, for example:**

- Offices and conference rooms,
- Hotel rooms,
- Corridors, staircases, and passageways,
- Bars and restaurants,
- Changing rooms and backrooms.



**Warning: Mineral slabs/tiles are not suitable for use:**

- Outdoors, such as on balconies or verandas,
- In winter gardens,
- In saunas,
- Near fire sources: directly next to gas stoves or around fireplaces.

## Preparation



Pencil



Measuring Tape



Square



Pliers



Utility Knife



Spirit level



Wedges



Rubber Mallet



Circular saw



Hole saw or multitool



Safety goggles



Protective gloves



Vacuum suction cup

## Adhesive



Mounting adhesives in cartridges based on MS polymers:

Recommended: Modee glue

Permitted: Arbiton Strongman, Bostik Mamut, Henkel T-Rex

Adhesives applied with a notched trowel – according to recommendations on the website: [technical.modee.eu](http://technical.modee.eu), including: Uzin KE68, Uzin KE68T

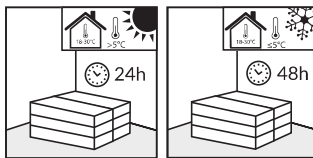
Approximate cartridge yield - about 1.5 m<sup>2</sup>/cartridge (depending on the thickness of the adhesive strips).



**Warning:** Before starting installation,

it is recommended to apply a small amount of adhesive to a small section of the substrate to check its adhesion.

## Acclimatization



In a room with a temperature of 18°C - 30°C and air humidity of 40-65%:

- 24 hours if the product was transported and stored at a temperature above 5°C.
- 48 hours if the product was transported and stored at a temperature below 5°C.

Ensure they are not exposed to direct sunlight.  
Store slabs/tiles flat in stacks no higher than 4-5 packs.

## Substrate preparation



Mineral slabs/tiles can be installed on:

- plastered walls,
- drywall (plasterboard),
- ceramic tiles,
- OSB boards or plywood (must be rigid and with a wood moisture content below 10%).



Wall slabs/tiles are a decorative material, so the quality and preparation of the substrate are crucial for the final effect.

The **substrate** to which the slab/tile will be attached must be solid, dry, clean, and firmly fixed, without any possibility of bending or shifting under pressure, and free from grease and chemical substances.

Repair cracks in the substrate, remove protruding irregularities, thoroughly vacuum the surface, and degrease if necessary. Check whether a primer or sealing material is required.

**Substrates** such as plastered walls or ceramic tiles must ensure the durability and stability of the entire structure after the slabs/tiles are installed.



**WARNING: THE SLAB/TILE MUST NOT BE INSTALLED ON AN UNSTABLE OR LOOSELY ATTACHED SUBSTRATE!**

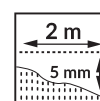
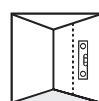
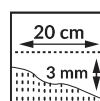
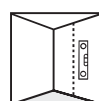


**Removal of elements:**

Remove protruding elements such as electrical outlets or switches.



**Flatness check:** Ensure that the substrate is completely flat. Irregularities exceeding 3 mm over a length of 20 cm or 5 mm over a length greater than 2 m must be leveled.



**Inspection of slabs/tiles:**

Before and during installation, check the slabs/tiles under good lighting. Do not install slabs/tiles with defects – such as damage, color differences, gloss variations, or in texture.

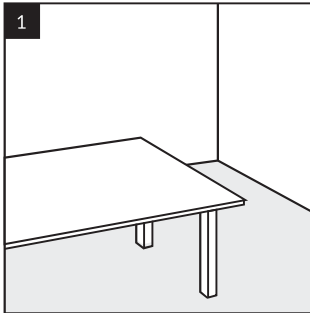


**Warning:** Under no circumstances should slabs or tiles with visible defects be installed. Installation is considered acceptance of the product's condition.

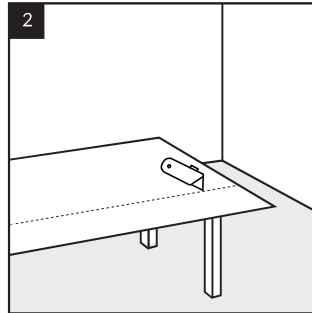
## Installation of slabs

The installation must take place in a room with a temperature of 18°C - 30°C, air humidity of 40-65%, and substrate temperature of at least 15°C.

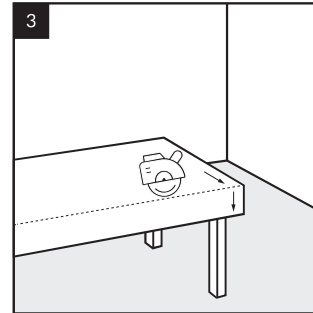
### Cutting:



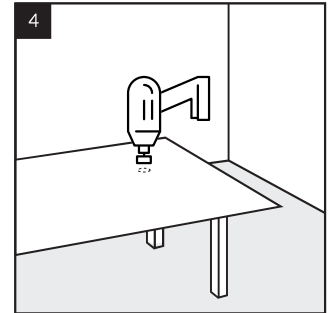
**Workspace preparation:**  
Organize a space (e.g., a table) to allow free cutting of slabs to avoid damaging the locks.



Slabs can be cut using a utility knife by scoring the top layer and then breaking it on a flat surface.

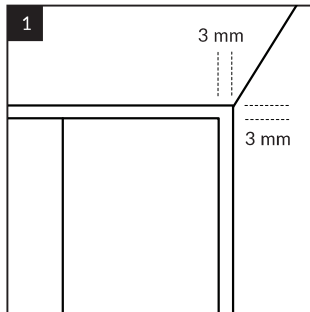


Alternatively, use a circular saw or jigsaw for precise cutting.



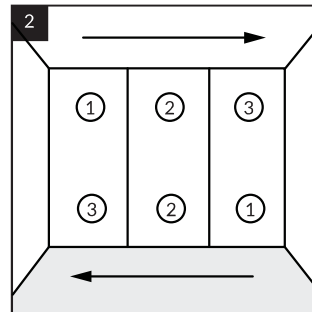
For circular cutouts, use a hole saw or a multitool.

### Expansion gaps:

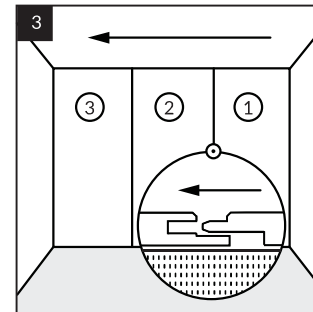


Maintain a 3 mm expansion gap under the ceiling and at wall corners. After at least 12 hours from gluing, fill it with silicone. When installing slabs in the bathroom, keep a 3 mm expansion gap at the floor, which will facilitate filling it with silicone. When installing large-format slabs in other rooms, with the use of skirting boards, you can apply a larger expansion gap above the floor - about 15 mm. This solution makes it easier to maneuver slabs.

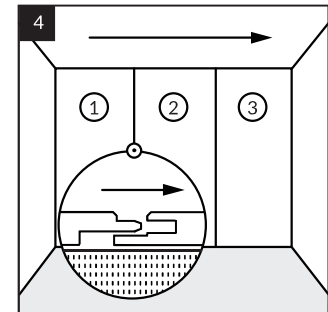
### Direction of installation:



You can install the slabs from left to right or vice versa.

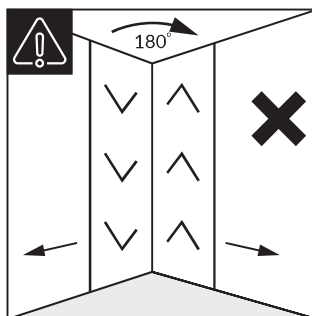


From right to left: the tongue on the left side of the slab.

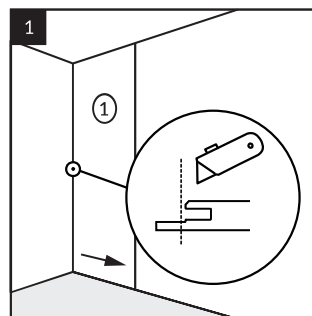


From left to right: the tongue on the right side of the slab.

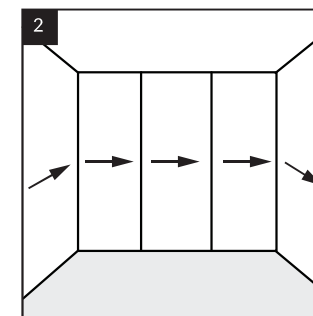
### Installation:



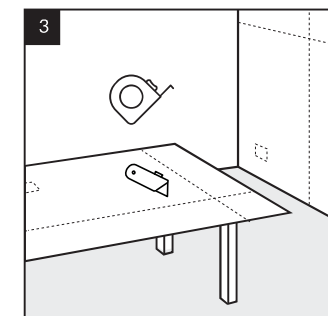
**Warning:** To maintain pattern consistency across the installed area, you must keep the direction of the decor. Very important: Rotating the slab by 180 degrees on adjacent walls changes the decor direction.



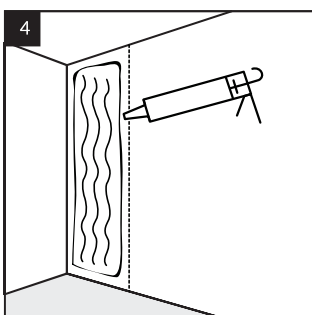
Start the installation from the wall corner. In the case of a slab at the corner, trim the part of the lock groove that touches the wall or is embedded in the profile using a utility knife or a circular saw.



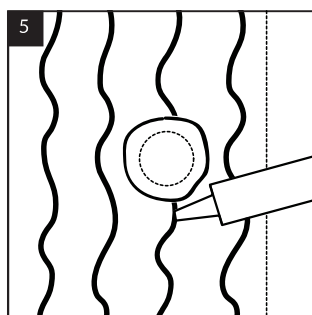
It is recommended to maintain a single installation direction for the slabs throughout the entire room, starting from the corner.



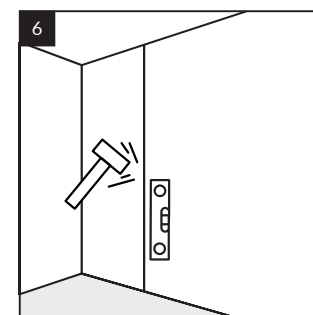
Measure the height and width of the wall and transfer the dimensions onto the slab. Cut the slab to the required dimensions using a sharp knife or a saw. Mark the locations for sockets, switches, etc.



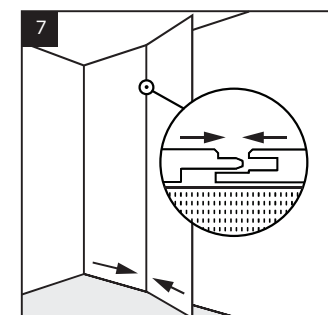
Mark the installation position of the slab on the wall and apply adhesive in vertical strips, starting 1-2 cm from the edge and maintaining 10 cm spacing between the strips.



Apply adhesive around openings, such as sockets and light switches, at a distance of 1-2 cm from the edge of the opening.



Place the slab against the wall and press it with your hand or a rubber mallet. Level the surface of the slabs using a rubber mallet and a spirit level.

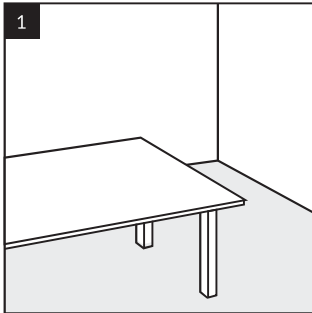


Insert the groove of the next slab onto the tongue of the already installed one to connect them. If using profiles, measure and cut them to size, then fix the profile to the wall with adhesive.

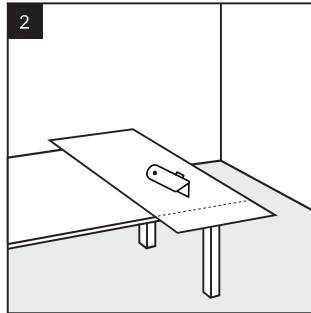
## Installation of 600x1200 tiles

The installation must take place in a room with a temperature of 18°C - 30°C, air humidity of 40-65%, and substrate temperature of at least 15°C.

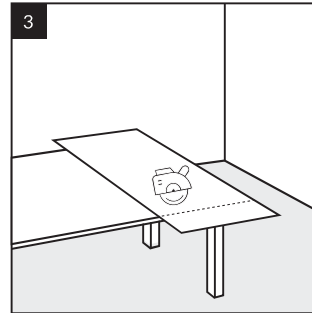
### Cutting:



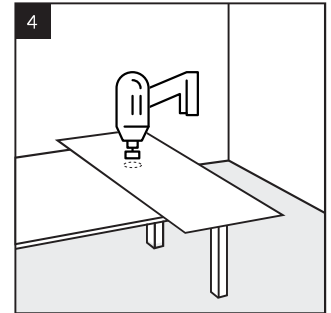
**Workspace preparation:**  
Organize a workspace (e.g., a table) for convenient tile cutting to avoid damaging the locks.



Tiles can be cut with a utility knife by scoring the top layer and then breaking them on a flat surface.

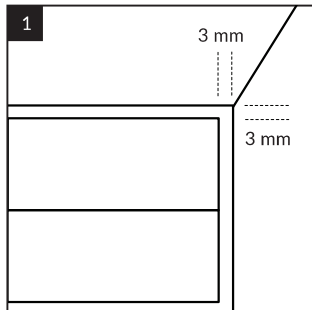


Alternatively, use a circular saw or a jigsaw for precise cutting.



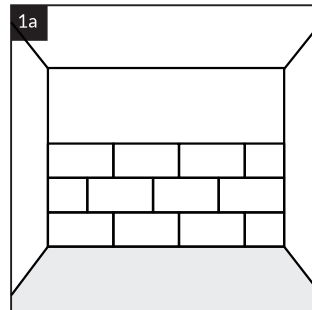
For circular cutouts, use a hole saw or a multitool.

### Expansion gaps:

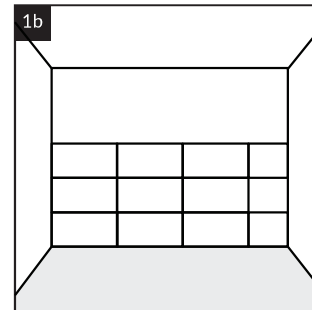


Maintain a 3 mm expansion gap at the ceiling and wall corners. After at least 12 hours from gluing, fill it with silicone. When installing tiles in the bathroom, maintain a 3 mm expansion gap at the floor, which will facilitate filling it with silicone. When installing tiles in other rooms with skirting boards, a larger expansion gap above the floor—approximately 15 mm—can be used.

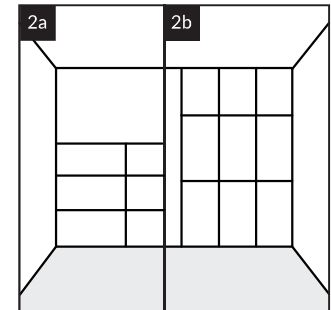
### Layout on the wall:



You can lay the tiles with an offset (brick pattern).

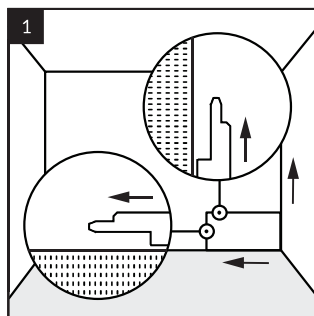


Or without offset (four tiles meeting at one corner).

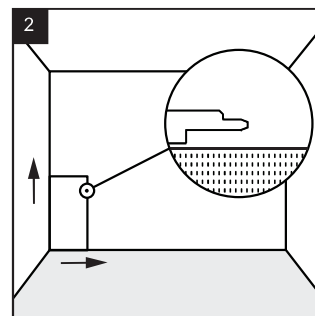


Tiles can be laid horizontally or vertically.

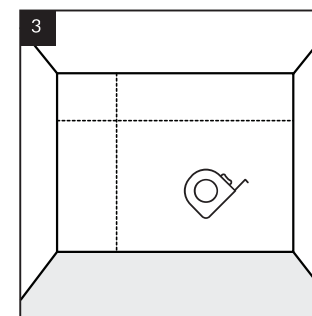
### Installation:



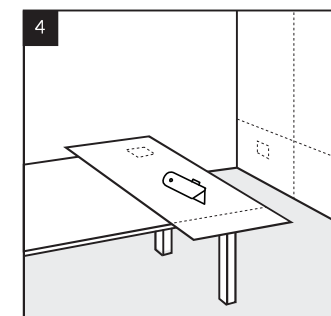
**For a horizontal layout,** start laying from the right corner of the wall and move to the left. It is crucial that the tile's locking tongue always faces the direction of installation.



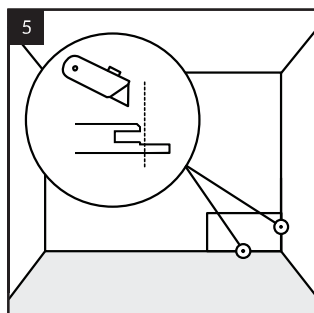
**For a vertical layout,** start laying from the left corner of the wall and move to the right. It is crucial that the tile's locking tongue always faces the direction of installation.



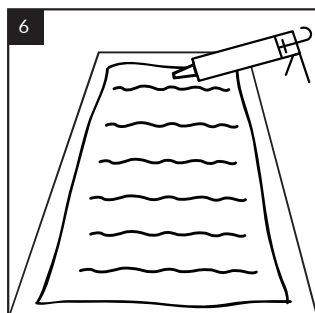
**First row:**  
Measure the height and width of the wall, transfer the measurements onto the tile.



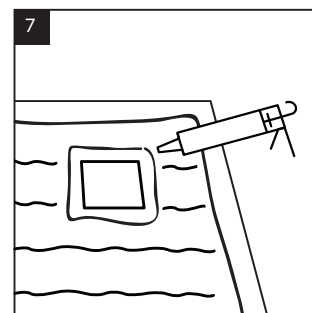
Cut the tile to the required dimensions using a sharp knife or a saw. Mark the locations for sockets, switches, etc.



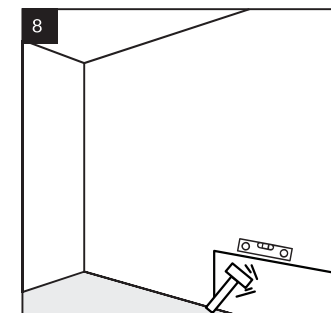
Before installation, you can remove the bottom part of the lock groove that touches the floor and wall using a utility knife.



Apply adhesive to the tiles in vertical stripes, starting 1-2 cm from the tile edge, maintaining 10 cm gaps between the stripes.



Apply adhesive around openings, such as sockets and light switches, at a distance of 1-2 cm from the edge of the opening.



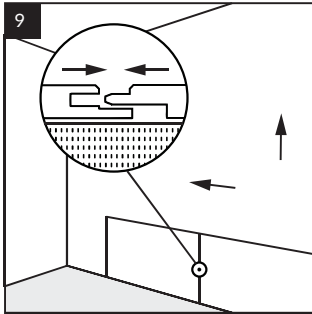
Place the tile against the wall and press it with your hand or a rubber mallet. Level the surface of the tile using a rubber mallet and a spirit level.



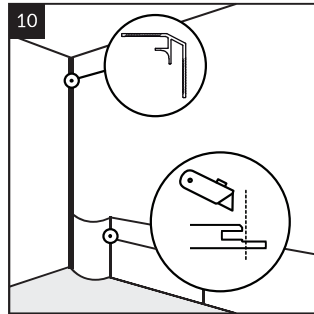
**Tip:** If you are using profiles, measure and cut them to size, then fix them to the wall with adhesive. The finishing profile (WALL END) and the external corner profile (WALL OUT, WALL OUT PRO) can be installed onto the already installed slab/tile. Installing the internal corner profile (WALL IN) requires first attaching it to the wall, followed by fixing the slabs/tiles.



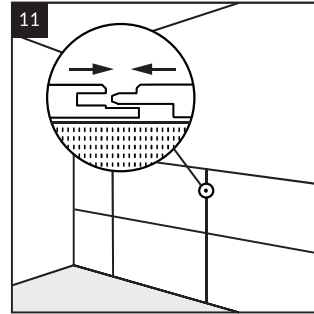
**Tip:** If corner profiles (WALL IN) are to be installed on both sides of the wall, first attach both profiles to the wall, and then proceed with tile installation.



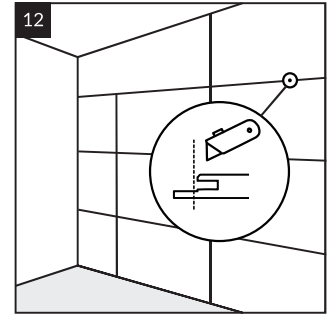
**9** Insert the locking groove of the next tile behind the tongue of the already installed one to connect them. If using profiles, measure and cut them to size, then attach the profile to the wall using adhesive.



**10** **Installation of the last tile in the row at the profile:** To facilitate the installation of the last tile in the row, cut off the longer part of the locking groove on the side of the tile. You can gently bend the tile to fit it between the profile and the adjacent tile.



**11** **Next rows:** When laying tiles in a straight or brick pattern, follow the guidelines provided above. Remember to glue and install the next tiles in the same way as in the first row, ensuring the proper alignment of vertical and horizontal grooves with the tongues of the previously installed tiles.



**12** **Last row:** To achieve the required 3 mm expansion gap under the ceiling, cut off the longer part of the upper tile's locking groove. This will ensure the proper spacing between the tiles and the ceiling.

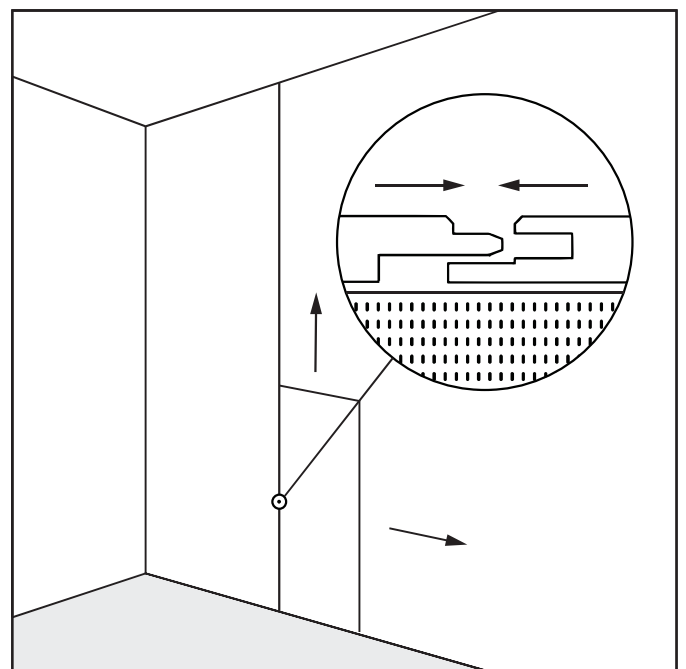
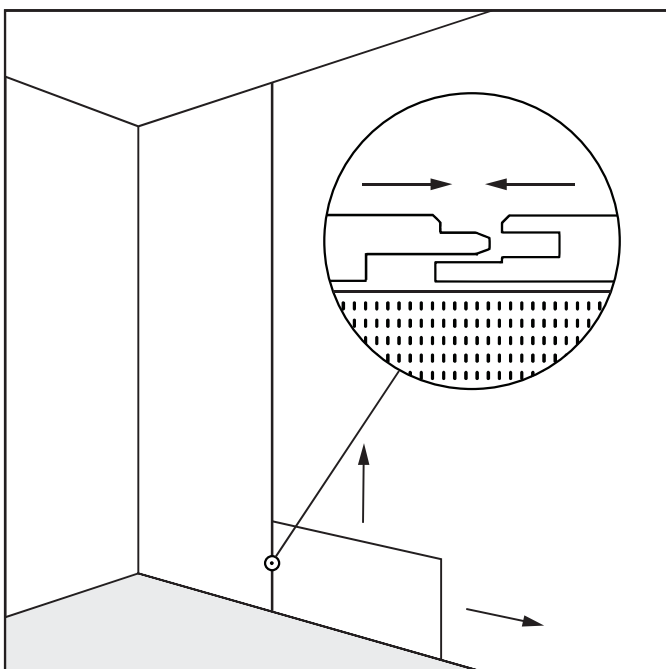


**Tip:** Ensure that the tiles are aligned evenly with each other to achieve a precise fit and avoid misalignment when laying the next rows.

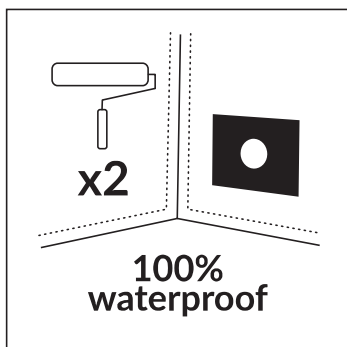
## Joining slabs and tiles

To achieve a wall composition, the Modee collection offers the possibility of combining:

- slabs with tiles in the 600x1200 format,
- panels of the same format with different surface textures.



## Installation of slabs and tiles in wet areas



Before starting the installation, ensure that the substrate is properly secured and suitable for use in humid environments. To protect the surface from moisture, apply a waterproofing coating known as liquid foil to the wall.

**In addition to the liquid foil, make sure to use:**

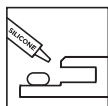
- sealing tape – at wall joints,
- sealing collar – around openings,
- sealing corners – at wall and floor intersections.

**Follow the manufacturer's instructions for applying the liquid foil.**

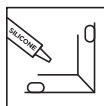
A full substrate waterproofing is guaranteed by applying two layers of liquid foil. Apply the second layer perpendicular to the first to ensure complete coverage of the surface. For porous substrates, apply at least three layers for proper sealing. Slabs/tiles can be glued only after the foil has fully dried, according to the manufacturer's recommendations.



**Warning:** Additionally, apply sealing silicone when installing in the wet zone:



In the case of joining slabs/tiles, apply a 3 mm thick strip to the longer protruding part of the locking groove.



If using finishing profiles, apply a 3 mm thick strip inside the profile.

## Cleaning and maintenance



**Cleaning:**

Slabs/tiles can be cleaned with a damp or wet cloth using cleaning agents based on:

- citric acid,
- vinegar,
- tartaric acid.

**Rinse the cleaner immediately after use – maximum 10 minutes.**

The use of descaling agents is allowed, but only those containing sulfamic acid.

After cleaning, rinse off any remaining cleaning agents with water at a temperature not exceeding 40°C.

**Avoiding damage:**

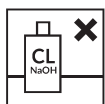
Do not use products that may damage the decorative surface and result in loss of warranty.

Test the cleaning agent on a small area before use.



**Avoid scrubbing. Rinse the cleaner immediately after use – maximum 10 minutes.**

Do not use steel wool or other objects made of/containing highly abrasive materials that may scratch or damage the slabs/tiles. The same applies to cleaning agents.



**Warning: The use of the following is strictly prohibited:**

- agents containing abrasive substances and/or powdered calcium carbonate,
- bleaching agents based on chlorine and other halogen compounds
- alkaline agents (NaOH),
- antifungal agents.

**Warning: Exercise caution near slabs/tiles when using products containing NaOH.**



**Warning:**

Use cleaning agents according to the manufacturer's instructions.

Avoid polishing products containing waxes and shining agents, as they may alter the texture of the slabs/tiles.

Regularly check the condition of the joints to ensure the seal remains intact.

## Profiles

To achieve an aesthetic finish, use dedicated finishing profiles.



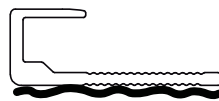
**Tip:** In areas such as showers or around bathtubs, the use of profiles combined with appropriate sealing materials (silicone, liquid foil, and accessories) creates a complete moisture protection system.



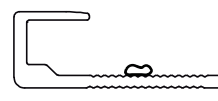
### WALL END

Length: 2,8 m

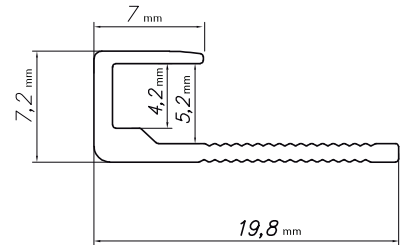
Installation: Polymer mounting adhesive for the wall



Installation: Adhesive



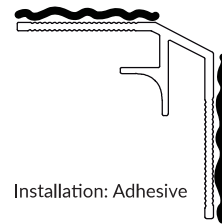
Sealing: Silicone



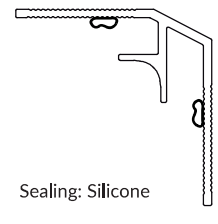
### WALL IN

Length: 2,8 m

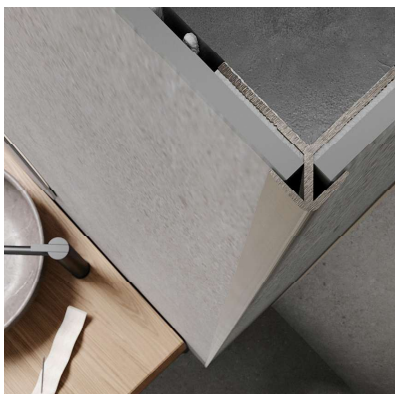
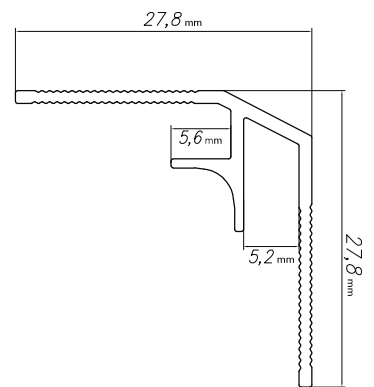
Installation: Polymer mounting adhesive for the wall



Installation: Adhesive



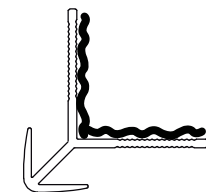
Sealing: Silicone



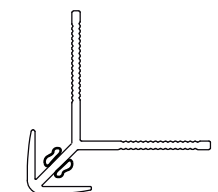
### WALL OUT

Length: 2,8 m

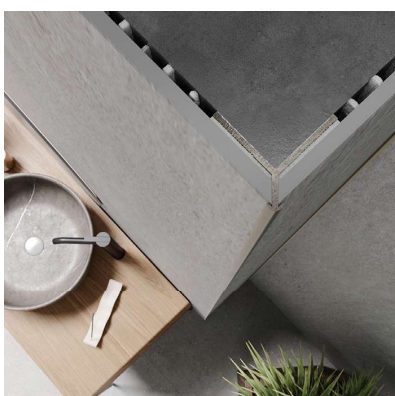
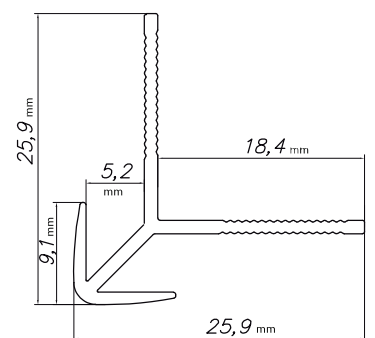
Installation: Polymer mounting adhesive for the wall



Installation: Adhesive



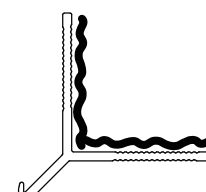
Sealing: Silicone



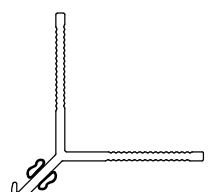
### WALL OUT PRO

Length: 2,8 m

Installation: Polymer mounting adhesive for the wall



Installation: Adhesive



Sealing: Silicone

